

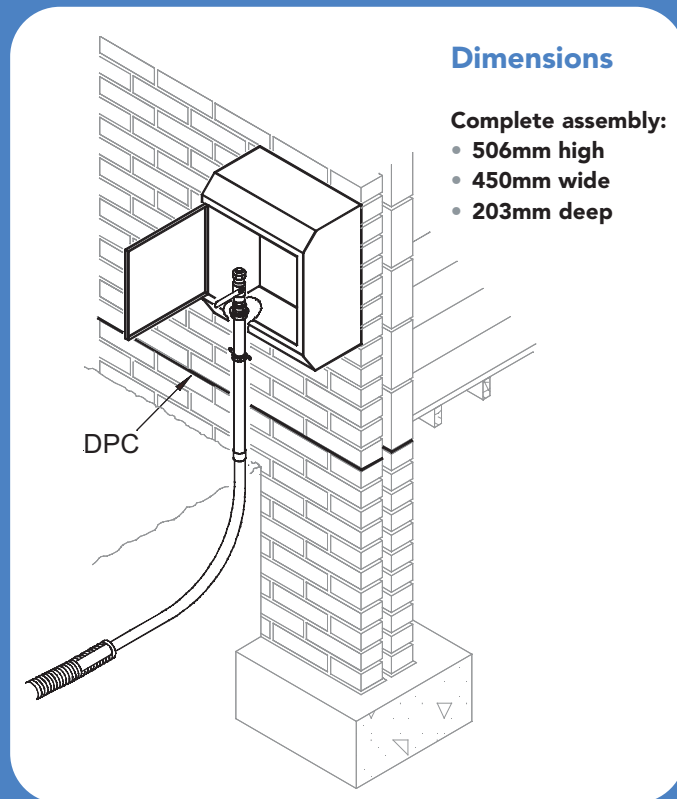
For further assistance, please call  
our Customer Care Team on  
**T 0845 641 3010**  
who will be happy to help.

Gas service entry types

## Surface Mounted Meter Box

Surface mounted boxes provide an easily installed alternative to the built-in box and are especially suitable for conversions or modernisation of older homes.

[www.fulcrum.co.uk](http://www.fulcrum.co.uk)



National capability,  
regional delivery,  
dedicated local service.



## Description

Surface mounted boxes provide an easily installed alternative to the built-in box and are especially suitable for conversions or modernisation of older homes. The back plate is simply screwed to the wall by Fulcrum and then the meter assembly attached to it and then the cover and door added.

Fulcrum will normally be responsible for the provision and installation of surface mounted meter boxes.

- The box can be painted, if required, to blend in with the finishes of adjacent surfaces.

A quality service,  
meeting your needs,  
safely delivered.

