

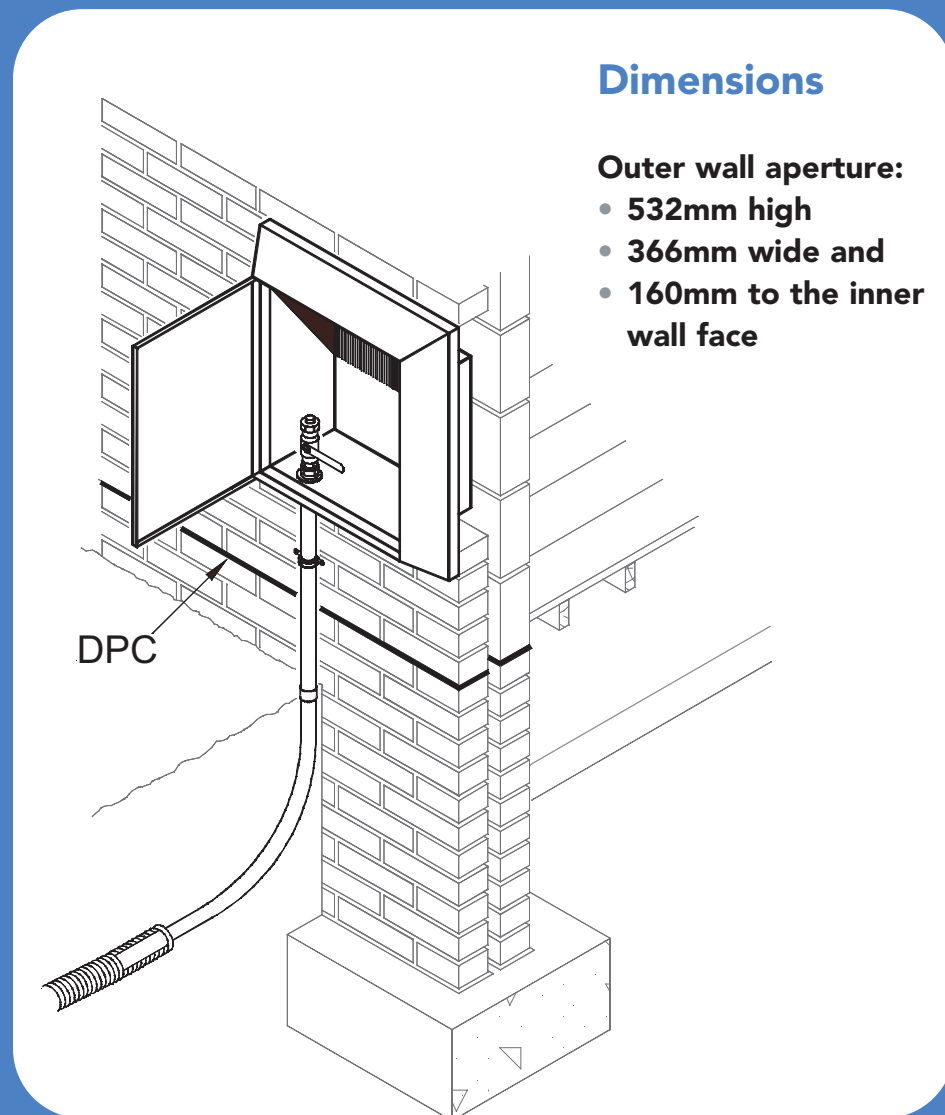
For further assistance, please call
our Customer Care Team on
T 0845 641 3010
who will be happy to help.

Gas service entry types

Built-in Meter Box

The built-in box (otherwise known as Cavity box) is designed for insertion in the external leaf of conventionally built homes or timber frame dwellings with similar external wall and cavity dimensions.

www.fulcrum.co.uk



Dimensions

Outer wall aperture:

- 532mm high
- 366mm wide and
- 160mm to the inner wall face

National capability,
regional delivery,
dedicated local service.



Description

The built-in meter box is similar in appearance to those provided for other utilities. It requires no lintel and is most appropriate for new build or extensive renovation. Please note that the built in box must be supplied and installed by the customer prior to Fulcrum attending site for service installation work.

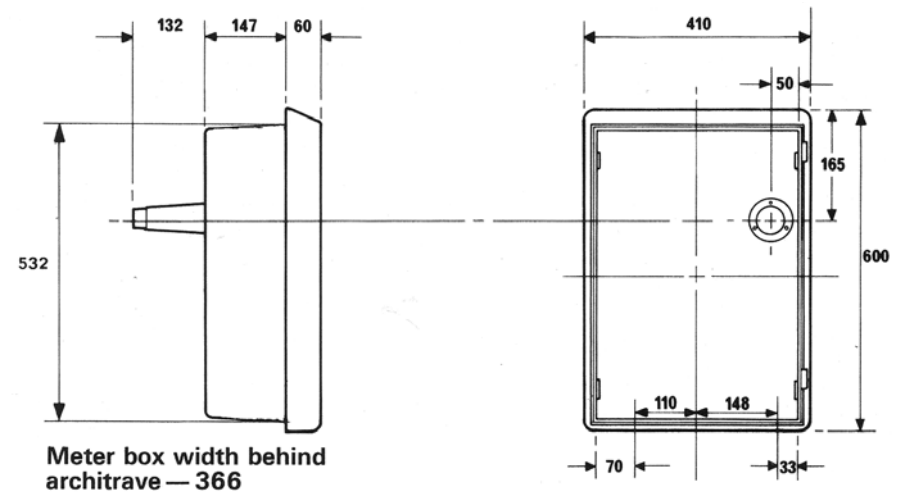
The built in meter box must be installed to the manufacturer's instructions (normally supplied with the box).

When on site, Fulcrum will inspect the meter box installation. If the box has been installed incorrectly, or the box is damaged, this may result in the utility connection being put on hold.

Preparation required before gas service pipe installation

- The meter box must be inspected for signs of damage when delivery is made to site. Our personnel will not be permitted to install a gas service pipe into a meter box that is damaged or insecure.
- The outlet pipework can leave the box via the add-on sleeve at the back or via the lower right hand front outlet. The spigot supplied will pass completely through wall, up to 278mm thick, and can easily be trimmed to length during installation of the internal pipe work.
- Under no circumstances must any other holes be made in the box for gas pipework or electrical cross-bonding cables.

- The base of the box must be located between 500mm and 1000mm above the finished ground level and above the damp proof course (DPC).
- The box must be situated where it will not cause an obstruction or be exposed to damage from vehicles etc.
- The use of the "knock-out" entry into the rear of the box is not permitted in Scotland due to Scottish Building Regulations.
- The box can be painted, if required, to blend in with the finishes of adjacent surfaces.



A quality service,
meeting your needs,
safely delivered.

